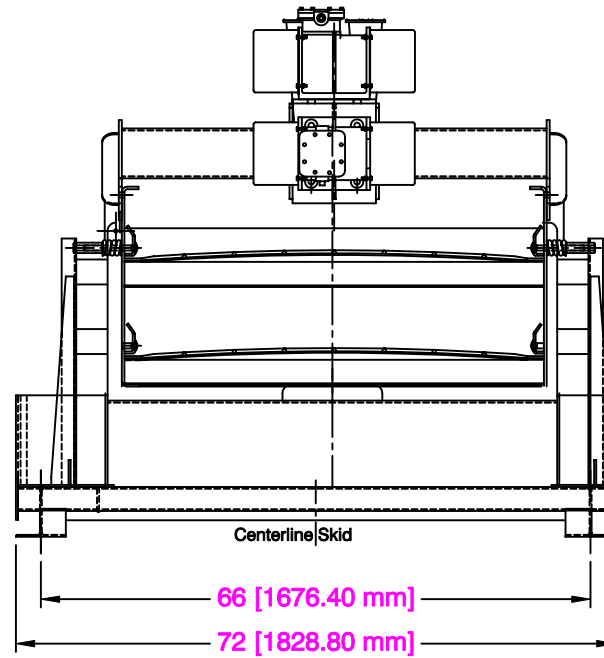
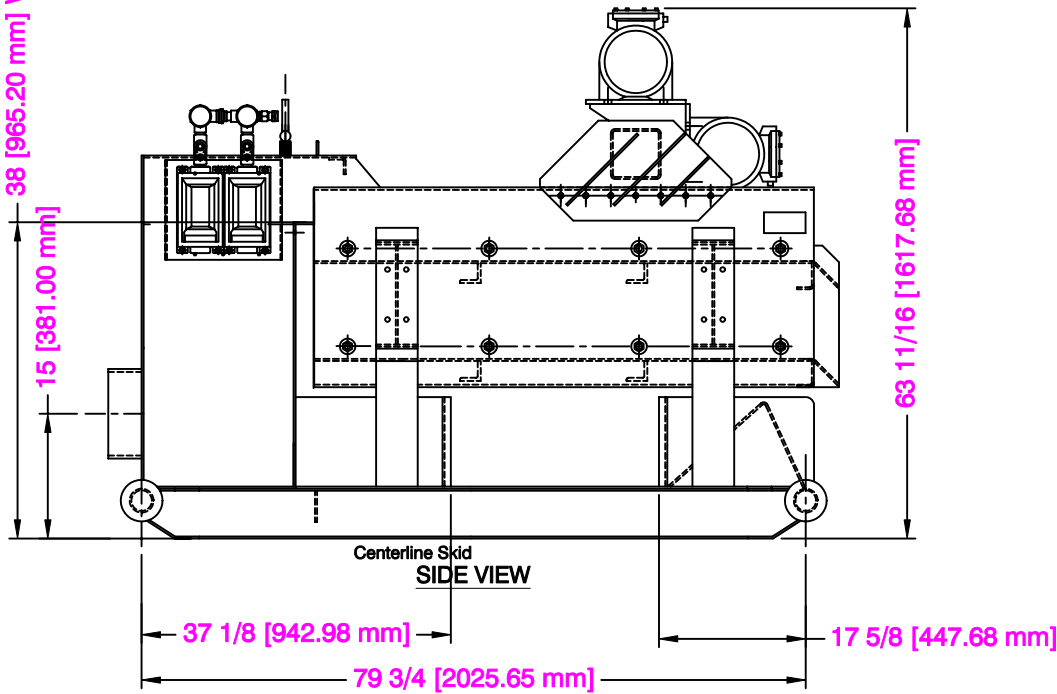


38 [965.20 mm] WEIR HIGH

15 [381.00 mm]

63 11/16 [1617.68 mm]



REVISIONS		NOTES	
NO.	DESCRIPTION	NO.	ZONE

NOTICE
The information contained herein is proprietary and may not be copied or transmitted to another party without the written consent of the owner, THE DOUBLE LIFE CORP., INC.



TITLE
CUSTOMER INSTALLATION & DIMENSIONAL DRAWING
4x5 LINEAR SHAKER (SANDWICH MOUNTS) WITH ENCAPSULATED MOTORS

PART NO.	DRAWN BY	DATE	SCALE
	MW	3-11-03	NTS
SHEET NO.	DRAWING NO.	REV. NO.	SIZE
1/1	99-00144	0	A